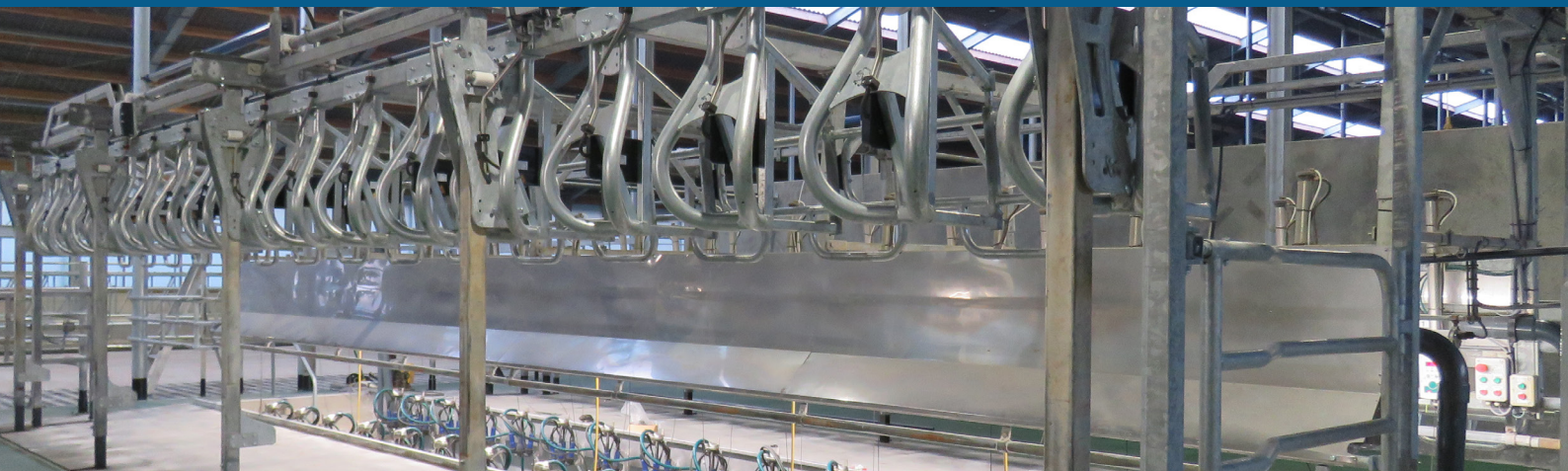


Optimum

Rapid Exit milking parlor



VAN
DINTHER



The Optimum rapid exit milking parlour is characterised by the sophisticated 3D-shaped breast barriers, which ensure that all your different-sized cows are always in a correct, proper and comfortable milking position. The breast barriers ensure larger cows get a longer stall length, while smaller cows are positioned further towards the milking pit. As a result, the udder is always easily accessible. An important feature of this system is that it's intuitive for the cows. This means less-experienced workers can also work smoothly and efficiently. The parlour frame is simple yet robust, ensuring a long life and quick changeover. It's fitted with reliable pneumatic operation as standard, or optional energy-efficient hydraulic operation. The modular construction allows for quick installation in both new parlours and during renovations.

Cows enter this parlour one after the other. As soon as the first cow is in the first stall, the system opens for the second cow to enter the second stall. Once the first cow is in position, pre-treatment and placement of the milking units can begin. In the meantime, the milking parlour fills itself as the cows, smoothly and calmly, take up a comfortable position.

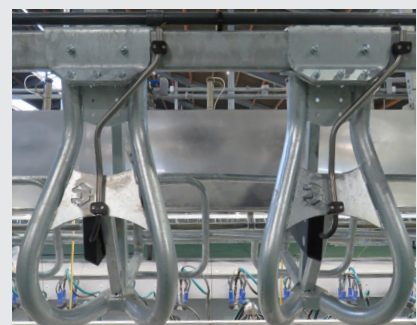
The springless gates close smoothly and silently. They also make it easy to milk with a partially filled parlour. The unique feature of the Optimum parlour is its quick changeover, short walking lines and flexible sizing.

The Optimum parlour also features an indexing function, so you can reduce the stall length.

The unique 3D breast barrier enables the cow to stand calmly and relaxed in the milking parlour.

After milking, the breast barrier moves vertically upwards without swerving. Once all the cows have simultaneously left the milking parlour, the breast barrier can be lowered again. Because there are no posts or poles between the cows, the older and heavier cows can also leave the milking parlour easily, without any obstacles. A new group can then enter the parlour.

Behind the cows, the milking pit is screened off with a stainless-steel manure plate, this can be fitted with an optional stainless steel manure gutter for hygiene.



Technical information

- Frame and breast barrier made of heavy-duty, locally reinforced profile tubing
- Breast barriers with 3D design and 700 mm standard stall width
- Frontgate moving vertically upwards with a free walk-through space of 1650mm
- Uprights fitted with adjustable screw-on footplate, both mounted and built-in assembly are possible
- By default, stainless steel manure plate and kick protection
- Pneumatic installation with electrical controls
- Equipped with a unique and reliable pull bar lift system
- Hot dip galvanised construction, inside and out
- Supplied with assembly and instruction manual and CE conformity declaration



CONSTRUCTION



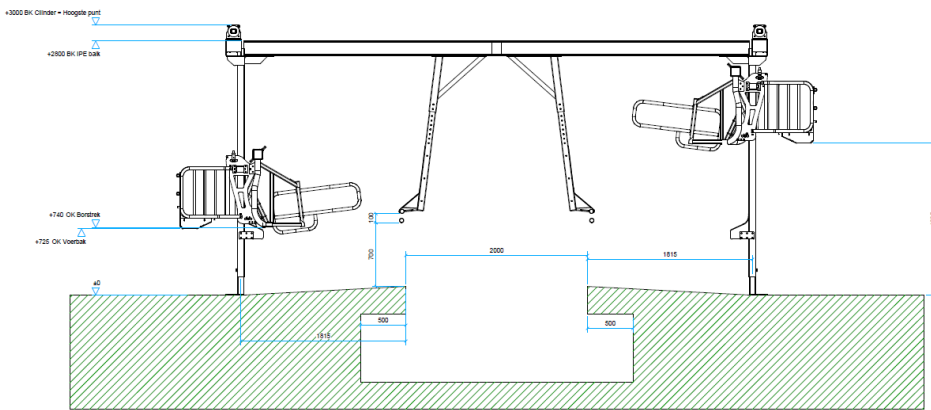
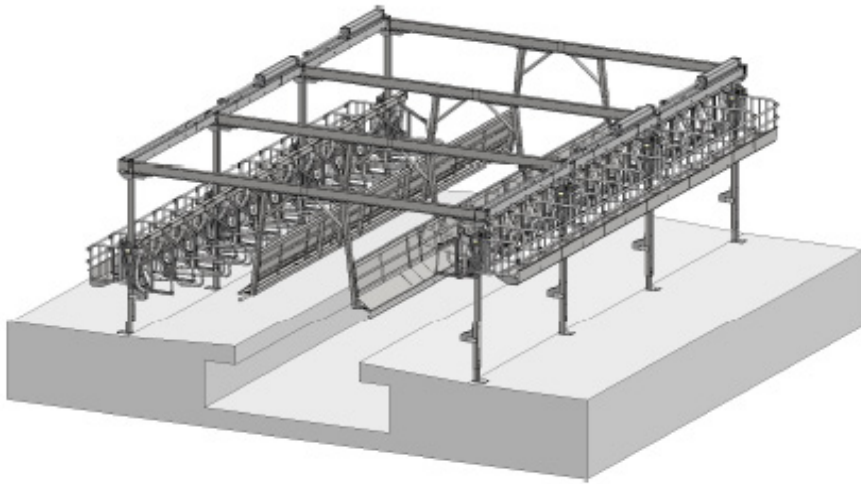
ENGINEERING



INSTALLATION

Optimum

Rapid Exit milking parlor



Advantages

- Robust and compact construction for long operational life
- Index function breastbarrier
- The central frame has no supports and is equipped with kick protection for safe milking
- Breast barriers move upwards vertically, do not swing forward, and therefore require minimal installation space
- Low-maintenance selection gates with rubber coating and grease nipples
- Due to its compact measurements ideal for both new buildings or renovation situations.
- Economically attractive milking parlour
- Front gate moving only vertically upwards, allows broad exit lane, no rotating gate above the cows
- Low-maintenance milking parlour as standard with reliable electro-pneumatic controls
- High milking capacity and designed for a high-quality milking process
- Modular construction, adaptable or expandable at a later date, easy to assemble

Optional

- Manure gutter including grate, transparent plate, or open central frame
- Stall width of 720 or 750 mm
- Stainless steel feeding troughs for concentrated feed individually or in groups
- Stainless steel cabinet for protecting pipelines and equipment
- Entry gates supplied to suit your requirements, with fencing for entry funnel
- Silent hydraulic climate resilient controls, in combination with Ergo Floor
- Hydraulic controls, an energy-efficient automatic start-stop function is available
- Preparation position recognition using antennas

Your Dealer: